

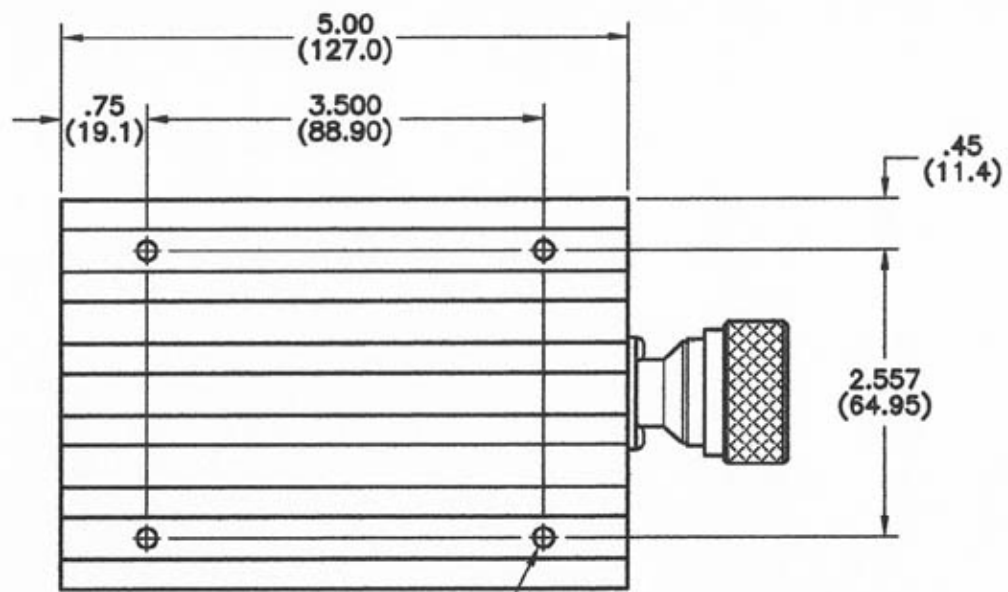
4

3

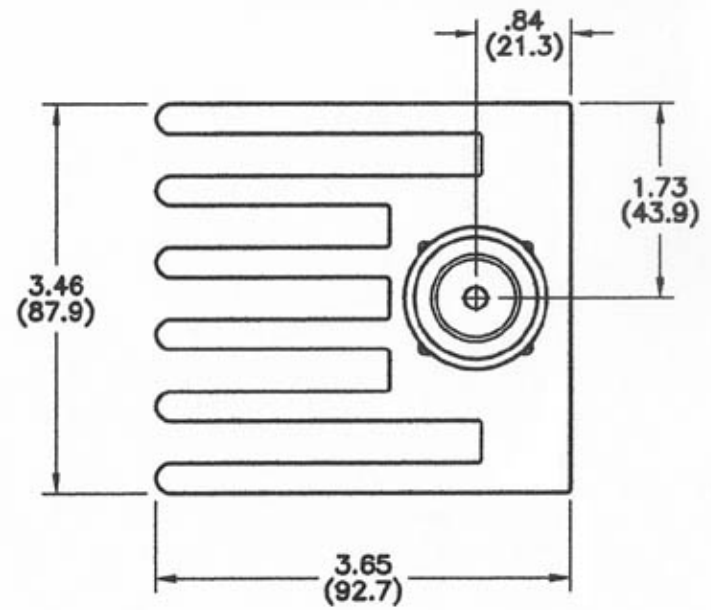
2

1

REVISIONS					
REV	ZONE	DESCRIPTION	DATE	BY	ECO
A	4D	.75(19.1) DIMENSION WAS .50(12.7)	9-8-08	GVC	--
	4A	REVISED VSWR SPECIFICATIONS			



.172(4.37) DIAMETER THRU  
4 HOLES



### SPECIFICATIONS

FREQUENCY RANGE - DC TO 3.0 GHz  
 IMPEDANCE - 50 OHMS  
 VSWR (DC TO 1.5 GHz) - 1.15:1  
 (1.5 TO 2.4 GHz) - 1.20:1  
 (2.4 TO 3.0 GHz) - 1.25:1  
 INPUT POWER (AVG.) - 150 WATTS  
 (PEAK) - 2000 WATTS  
 OPERATING TEMPERATURE - -55°C TO +125°C  
 CONNECTOR - 7/16 DIN MALE

DIMENSIONS: INCHES  
(MILLIMETERS)

TOLERANCES		THE INFORMATION CONTAINED IN THIS DOCUMENT IS THE PROPERTY OF MICROWAVE DEVICES, INC. AND IS PROPRIETARY. IT IS NOT TO BE COPIED OR USED FOR ANY PURPOSE OTHER THAN AS INSTRUCTED, IN WRITING, BY MICROWAVE DEVICES, INC.	SIGNATURES		DATE
DEC.XI ± .03	FRACTION		DR	G.V.Cothren	5-25-08
XXX ± .010	ANG ±		CHK		
MATERIAL			APPD		
FINISH			APPD		

<b>MICROWAVE DEVICES</b> <small>RF and Microwave Components</small>	
<b>OUTLINE, TERMINATION MODEL 6150L7</b>	
CAGE	SIZE
60674	B
DRAWING NO.	900594-1
DRAWING SCALE	1=1
SHEET	1 OF 1

CONTACT: MICROWAVE DEVICES - 1150 N. GRAHAM RD. FRAZARB, IN 46131  
 (317) 736-8833

DIMENSIONS ARE IN INCHES UNLESS OTHERWISE SPECIFIED.

4

3

2

1